



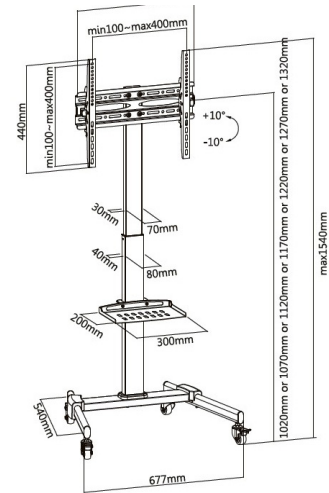
GAMA PROFESIONAL
SOLUCIONES PARA TV
SOBRE RUEDAS

32"-55" UNIVERSAL TV CART

Product N° - 650607

KEY FEATURES

- Max. Load Capacity: 35Kg
- Max. VESA: 400x400
- VESA standards compliant
- Wheels for mobility, lockable for safety
- Telescopic height adjustment for optimum visibility
- Free-tilting design for multiple monitor viewing angles
- Integrated cable management system
- DVD/AV component shelf



INSTALLATION VIDEO
SCAN HERE:

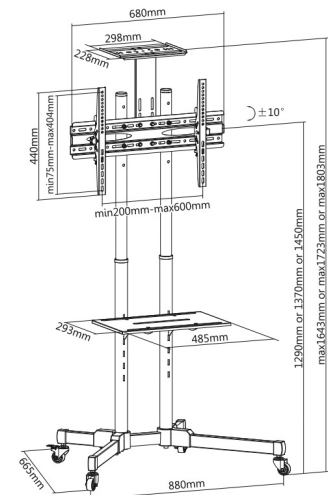


37"-70" ECONOMY MULTI-FUNCTIONAL TV CART

Product N° - 650603

KEY FEATURES

- Max. Load Capacity: 50Kg
- Max. VESA: 600x400
- Height adjustment
- DVD/AV component shelf
- Wheels for mobility, lockable for safety
- Free-tilting design for multiple monitor viewing angles
- Adjustable camera shelf/DVD shelf height for the desired position
- VESA standards compliant
- Integrated cable management system



INSTALLATION VIDEO
SCAN HERE:

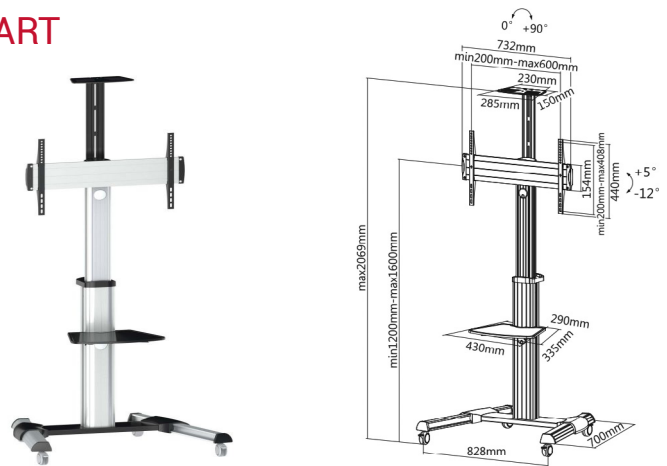


37-70" 90° ROTATE SINGLE DISPLAY TV CART

Product N° - 650602

KEY FEATURES

- Max. Load Capacity: 50Kg
- Max. VESA: 600x400
- Height adjustment
- Adjustable camera shelf/DVD shelf height for the desired position
- Free-tilting design for multiple monitor viewing angles
- Wheels for mobility, lockable for safety
- 90° rotation for easily holding display in portrait or landscape orientation
- DVD/AV component shelf
- Screen Rotation: 90°
- VESA standards compliant
- Built-in Cable management



INSTALLATION VIDEO
SCAN HERE:

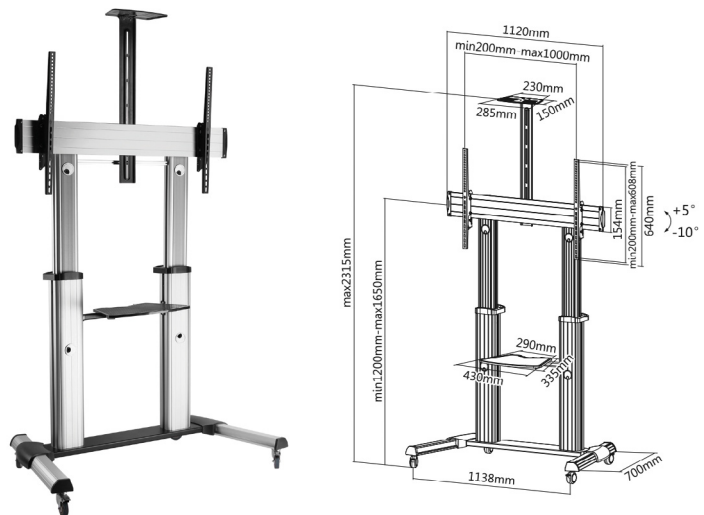


60-100" ULTRA-LARGE TELESCOPIC DISPLAY TV CART

Product N° - 650605

KEY FEATURES

- Max. Load Capacity: 100Kg
- Max. VESA: 1000x600
- Height adjustment
- Free-tilting design for multiple monitor viewing angles
- Built-in Cable management
- Quick-release spring lock adjusts height effortlessly
- Quick assembly shelf assures easy post-intallation and height adjustable
- Wheels for mobility, lockable for safety
- DVD/AV component shelf
- Adjustable camera shelf/DVD shelf height for the desired position



INSTALLATION VIDEO
SCAN HERE:

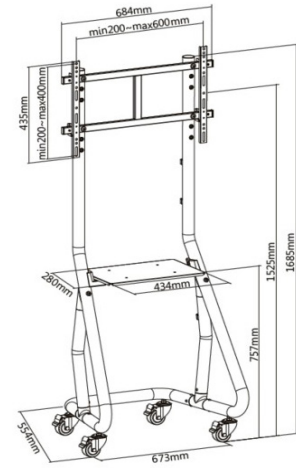


37"-80" HEAVY-DUTY TV CART

Product N° - 650608

KEY FEATURES

- Max. Load Capacity: 80Kg
- Max VESA support 600x400
- Height adjustment
- Built-in Cable management
- DVD/AV component shelf
- Wheels for mobility, lockable for safety
- VESA standards compliant
- Anti-Theft Locking Hole: for additional security preventing



INSTALLATION VIDEO
SCAN HERE:

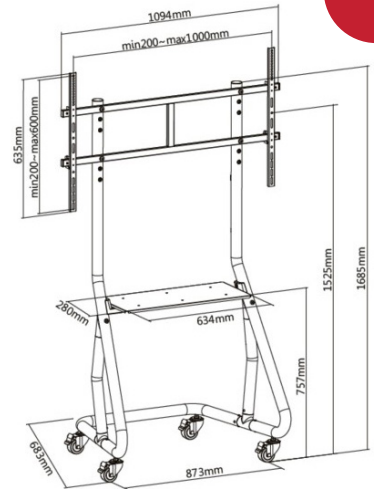


60"-105" HEAVY-DUTY TV CART

Product N° - 650609

KEY FEATURES

- Max. Load Capacity: 100Kg
- Max VESA support 1000x600
- Height adjustment
- Built-in Cable management
- DVD/AV component shelf
- Wheels for mobility, lockable for safety
- VESA standards compliant
- Anti-Theft Locking Hole: for additional security preventing



INSTALLATION VIDEO
SCAN HERE:



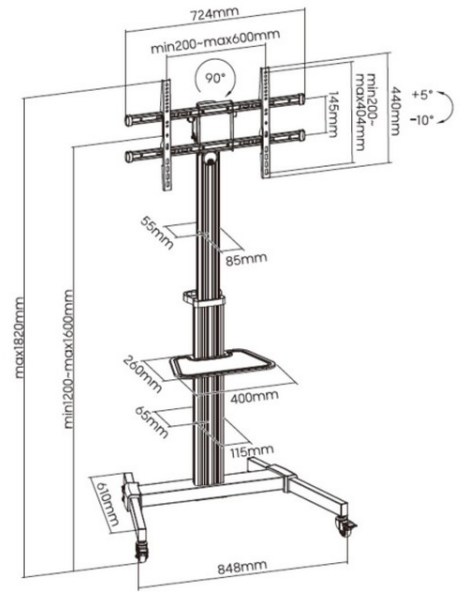
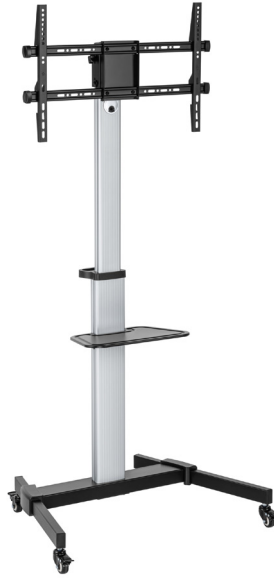
37-86" ROTATE TV CART

Product N° - 650630



KEY FEATURES

- Max. Load Capacity: 50Kg
- Max. VESA: 600x400
- Adjustable camera shelf/DVD shelf height for the desired position
- Height adjustment
- Free-tilting design for multiple monitor viewing angles
- Wheels for mobility, lockable for safety
- 90° rotation for easily holding display in portrait or landscape orientation
- DVD/AV component shelf
- Cable clips keep cables organized and protected



INSTALLATION VIDEO
SCAN HERE:





www.equip-info.net



Technical specifications are subject to change without notice.
© Copyright Digital Data Communications GmbH. All Rights Reserved.
Im Defdahl 10F, 44141 Dortmund, Germany

DISTRIBUTED BY

2024 EN