



SOPORTES DE TECHO TV Y PROYECTORES

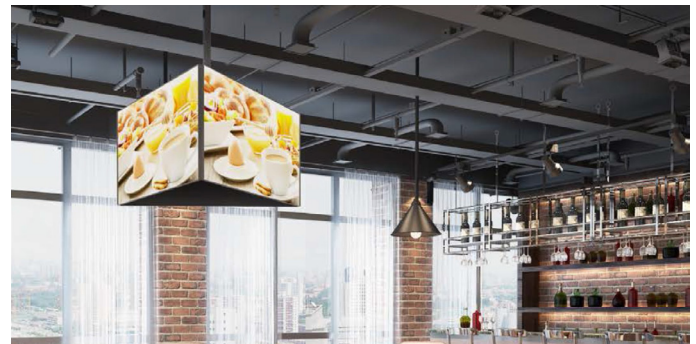
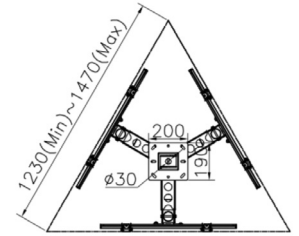
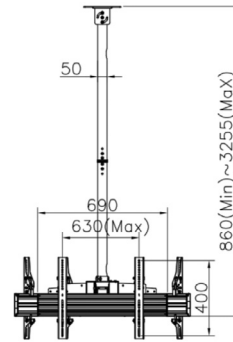
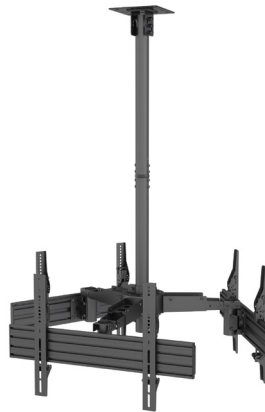


32"-65" CEILING MOUNT TRIPLE SCREEN TV BRACKET

Product N° - 650371

KEY FEATURES

- Compatible with landscape and portrait mounting
- Integrated bubble level assures easy installation alignment
- Adjustment knob enables a full range of tilt/swivel action
- Max. VESA: 600x400
- VESA standards compliant
- Built-in Cable management
- Max. Load Capacity: 30Kg per screen



INSTALLATION VIDEO
SCAN HERE:

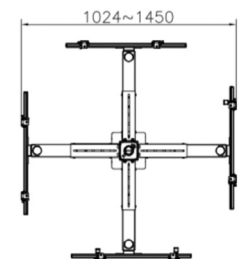
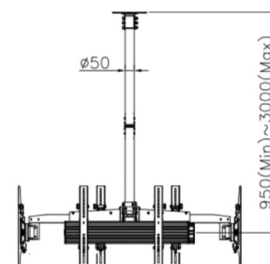


32"-65" CEILING MOUNT QUAD SCREEN TV BRACKET

Product N° - 650372

KEY FEATURES

- Integrated bubble level assures easy installation alignment
- Adjustment knob enables a full range of tilt/swivel action
- Compatible with landscape and portrait mounting
- Built-in Cable management
- Max. VESA: 600x400
- VESA standards compliant
- Max. Load Capacity: 30Kg per screen



INSTALLATION VIDEO
SCAN HERE:

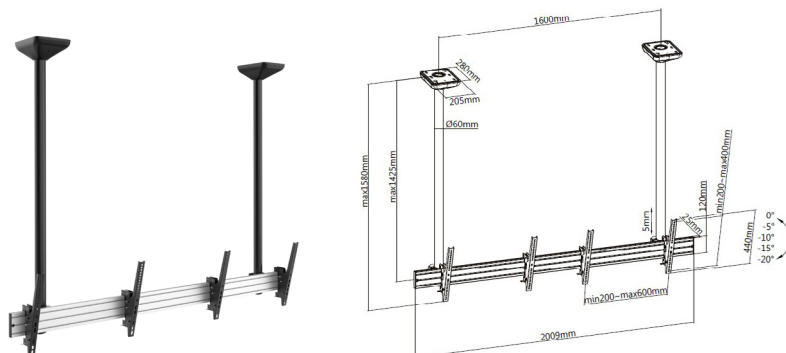


45"-55" DUAL SCREEN CEILING MOUNT

Product N° - 650373

KEY FEATURES

- support TV 45"-55"
- Max. Load Capacity: 50Kg (per screen)
- Max. VESA: 600x400
- Free-tilting & Swiveling Design
- Sturdy and lightweight aluminum construction
- Level adjustment ensures perfect positioning
- Integrated cable management system
- Anti-Theft Locking Hole: for additional security preventing any unwanted removal



INSTALLATION VIDEO
SCAN HERE:

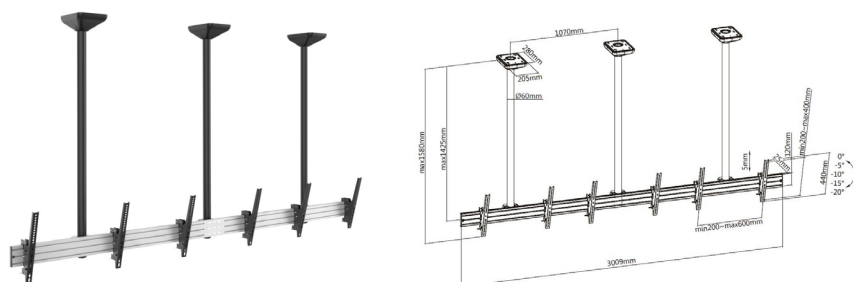


45"-50" TRIPLE SCREEN CEILING MOUNT

Product N° - 650374

KEY FEATURES

- support TV 45"-50"
- Max. Load Capacity: 50Kg (per screen)
- Max. VESA: 600x400
- Free-tilting & Swiveling Design
- Sturdy and lightweight aluminum construction
- Level adjustment ensures perfect positioning
- Integrated cable management system
- Anti-Theft Locking Hole: for additional security preventing any unwanted removal



INSTALLATION VIDEO
SCAN HERE:





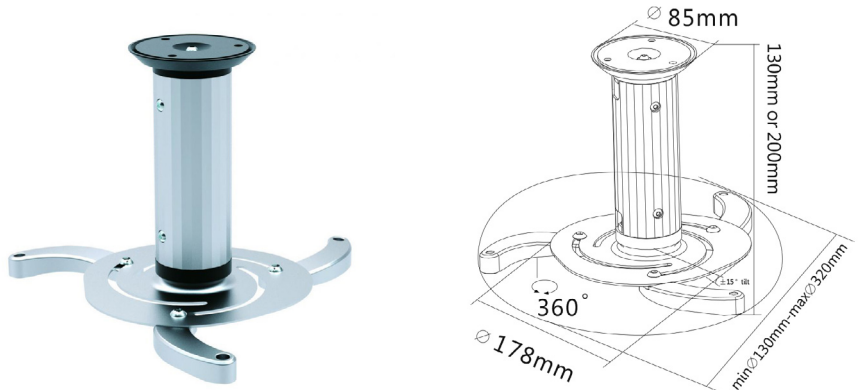
SOLUCIONES PARA PROYECTORES

PROJECTOR CEILING MOUNT BRACKET

Product N° - 650700

KEY FEATURES

- Sturdy and lightweight aluminum construction
- Integrated cable management system
- Height adjustment: 130/220mm
- Suitable for projectors with a pitch circle diameter of 225-315mm
- Max. Load Capacity: 10Kg/22Lbs
- Rotation: 360°



INSTALLATION VIDEO
SCAN HERE:

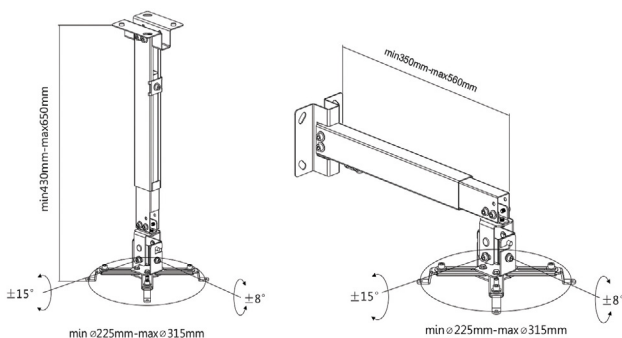


PROJECTOR CEILING WALL MOUNT BRACKET

Product N° - BLACK 650702 | WHITE 650703

KEY FEATURES

- Sturdy and lightweight steel construction
- Height adjustment : 430-650mm
- Suitable for projectors with a pitch circle diameter of 225-315mm
- Integrated cable management system
- Max. Load Capacity: 20Kg / 44 Lbs



INSTALLATION VIDEO
SCAN HERE:





www.equip-info.net



Technical specifications are subject to change without notice.
© Copyright Digital Data Communications GmbH. All Rights Reserved.
Im Defdahl 10F, 44141 Dortmund, Germany

DISTRIBUTED BY

2024 EN